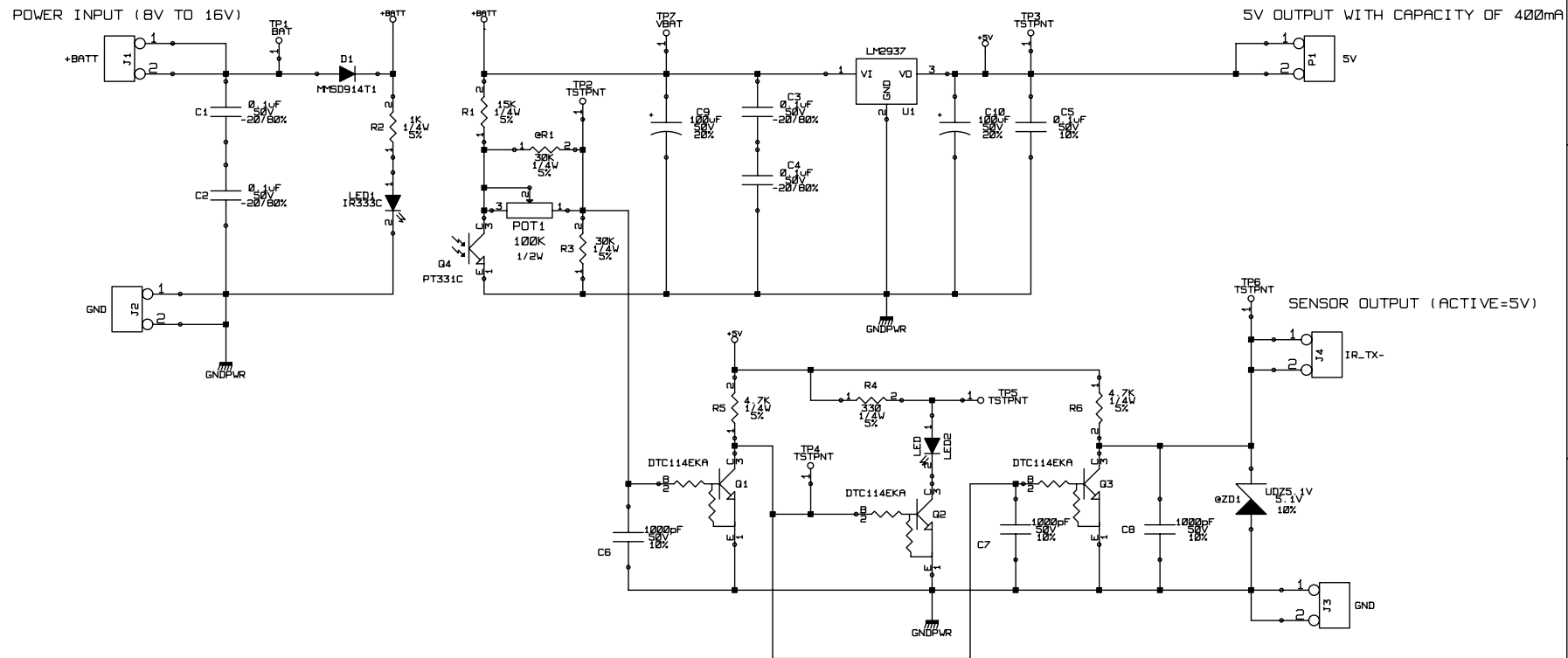


PROTOTYPE DRAWING



NOTES:

- 1. ELECTRICAL COMPONENTS MARKED WITH @ ARE UNASSEMBLED COMPONENTS

CREATED BY: EDUARDO BONILLA

KEDO P/N: ELPASKS00000  
 PCB ASSEMBLY (SCHEMATIC)  
 PROXIMITY SENSOR (INFRARED)  
 KEDO ELECTRONIC PRODUCT DESIGN

Title: PROXIMITY SENSOR (INFRARED)

Size: A4 | Date: 21 oct 2005

KiCad E.D.A. EESchema (27-aug-2005)

Rev: R000

Sheet: 1/1